

**DAYBREAK
LED**
SUSTAINABLE LIGHTING SOLUTIONS



WWW.DAYBREAKLED.COM
17806 I-10 SUITE 300
SAN ANTONIO, TX. 78257
P: 800-533-9526
E: SALES@DAYBREAKLED.COM

Daybreak LED

HiProofSeries

Tri-Proof Light



Features

The cover and outer housing is sealed with high elasticity rubber band and water-proof silicone rubber, and the protection rate can reach IP65.

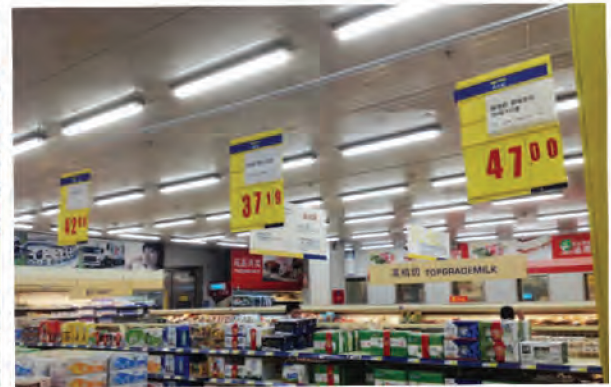
6063 aluminum alloy housing provides high thermostability, and anti-impact strength making it perfect for warehouse applications.

Instant illumination, no flicker, no buzz, no UV emission.

Specifications

Model	TPDB-HI20W	TPDB-HI30W	TPDB-HI50W	TPDB-HI60W	TPDB-HI80W	TPDB-HI100W
Length	2FT	3FT	4FT	5FT	6FT	8FT
Wattage	20W	30W	50W	60W	80W	100W
Lumens	2,400	3,600	6,000	7,200	9,600	12,000
LED Type	SMD2835					
Power Factor	>.95					
CRI	80					
Input Voltage	100-277VAC					
CCT	3000K 4000K 5000K					
Beam Angle	120°					
IP Rating	IP65					
Operating Temperature	-4° to 113° F					
Dimensions	24"x3.62"x2.91"	36"x3.62"x2.91"	48"x3.62"x2.91"	60"x3.62"x2.91"	72"x3.62"x2.91"	96"x3.62"x2.91"

Application



Installation



Ceiling Mounted Installation



Suspended Installation

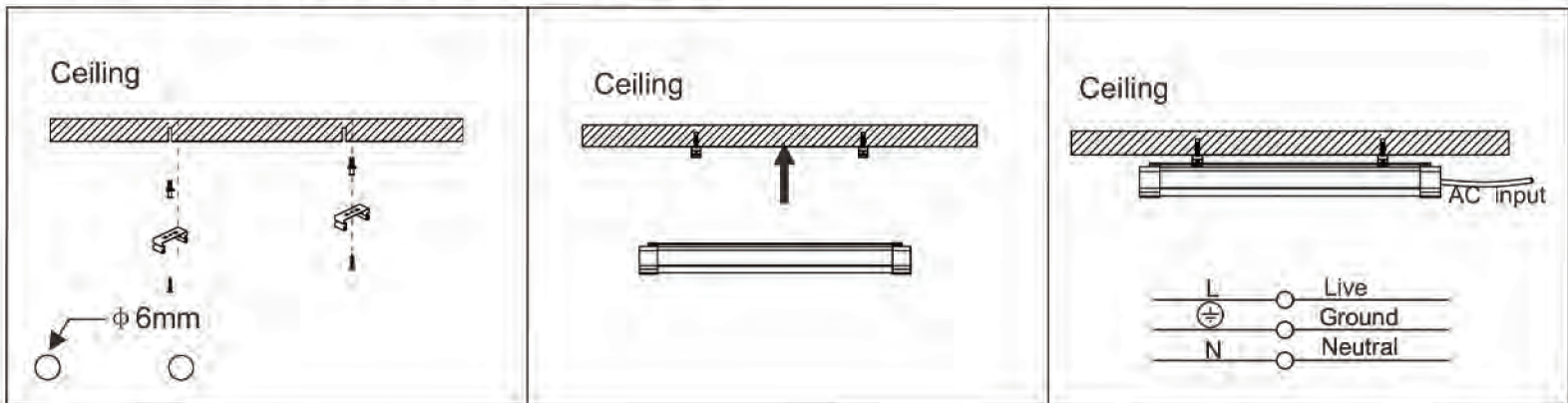


linking in series Installation

1. The installation should be performed by qualified electricians or lighting technicians.
2. Before conducting any installation, maintenance, or removal, disable all power to the luminaries and wait until the fixture cool down.
3. If there is any problem with the fixture, Do turn off power and Do not attempt to repair unless you are a qualified electrician.

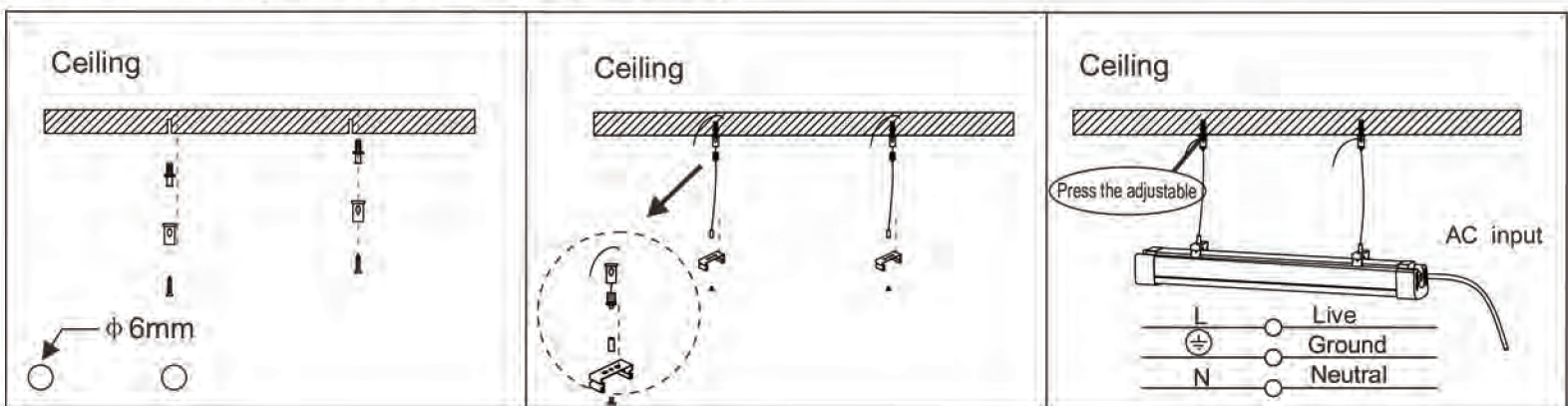
Surface Mounted Installation

1. Drill two holes (size: $\Phi 6$ mm) on the ceiling, put the screw sockets into the holes. Use screws driver to fix clips on the ceiling.
2. Put the Tri-proof light into the clips.
3. Connect the wires (L for Line, N for Neutral, \oplus Ground).

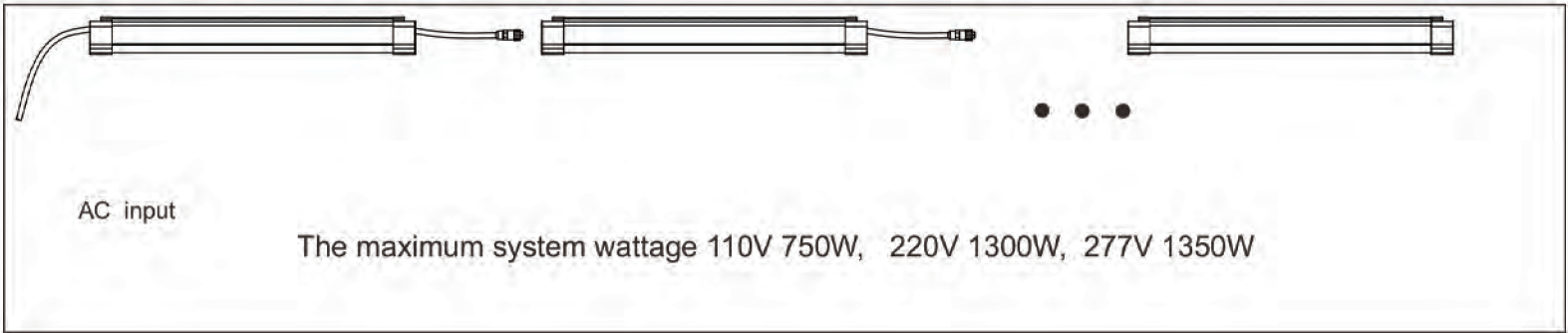


Suspended Installation

1. Drill two holes (size: $\Phi 6$ mm) on the ceiling, put the screw sockets into the holes, use screws to fix the ring on the ceiling.
2. Pull the wire through the hole on the ring close to the ceiling, twist the screw to cover the ring.
3. Twist the little screw into the screw socket on the other side of the rope.
4. Put the tri-proof lights into the clips, press the button on the ring close to the ceiling to adjust the rope length.
5. Connect the wires (L for Line, N for Neutral, \oplus for Ground).

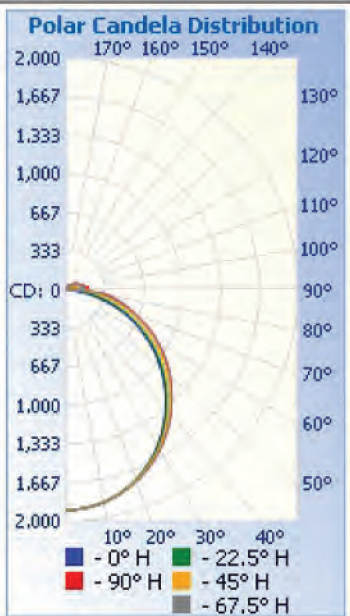


Link in Series Installation



Photometrics

4' 50W

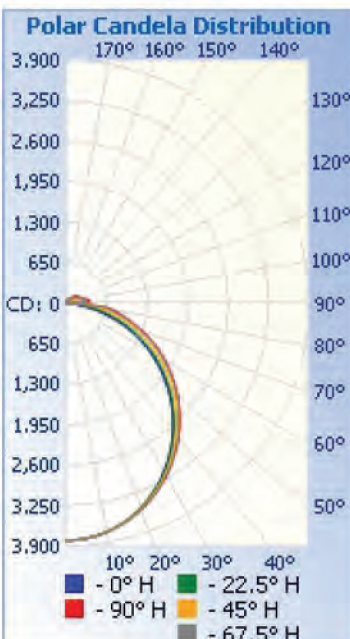


Illuminance at a Distance

	Center Beam fc	Beam Width	
17.0ft	6.61 fc	46.6 ft	57.1 ft
34.0ft	1.65 fc	93.2 ft	114.2 ft
51.0ft	0.73 fc	139.8 ft	171.3 ft
68.0ft	0.41 fc	186.4 ft	228.4 ft
85.0ft	0.26 fc	233.0 ft	285.5 ft
102.0ft	0.18 fc	279.6 ft	342.6 ft

■ Vert. Spread: 107.8°
■ Horiz. Spread: 118.5°

8' 100W



Illuminance at a Distance

	Center Beam fc	Beam Width	
17.0ft	13.22 fc	46.6 ft	57.1 ft
34.0ft	3.30 fc	93.2 ft	114.2 ft
51.0ft	1.47 fc	139.8 ft	171.3 ft
68.0ft	0.83 fc	186.4 ft	228.4 ft
85.0ft	0.53 fc	233.0 ft	285.5 ft
102.0ft	0.37 fc	279.6 ft	342.6 ft

■ Vert. Spread: 107.8°
■ Horiz. Spread: 118.5°